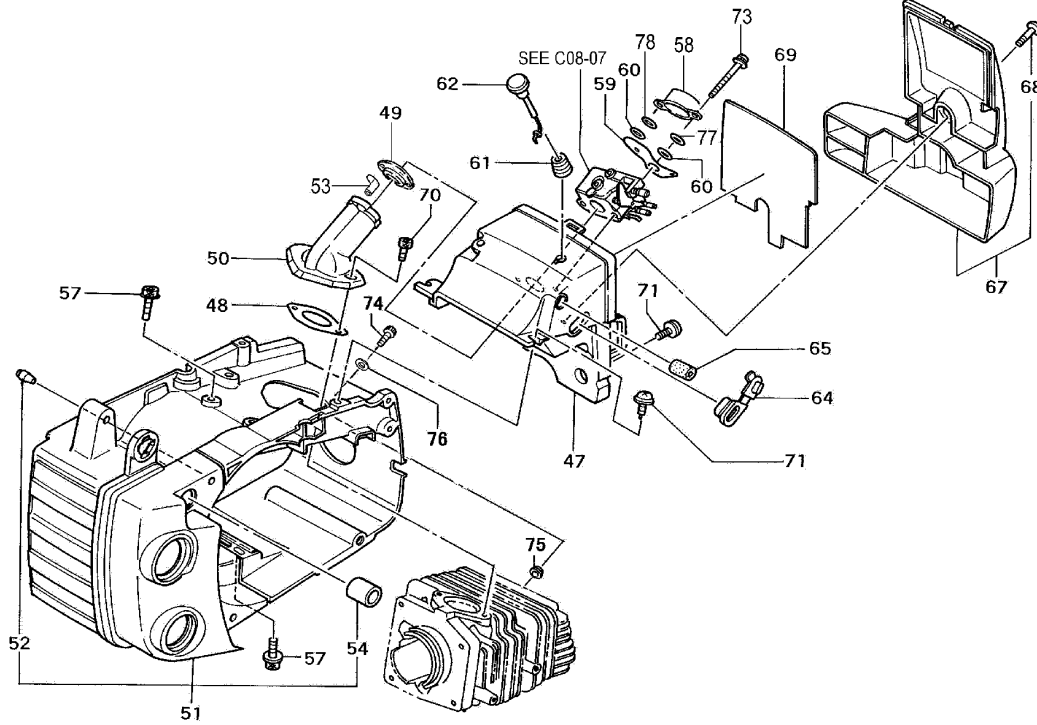


C08
03

TCS-3401 ENGINE CASE/AIR CLEANER



Parts List

| Ref. | Part No. | Description | Q'ty | Serial No. |
|------|---------------|-----------------------|------|------------|
| 047 | 155-32970-81 | CLEANER BODY COMP. | 1 | |
| 048 | 403-04063-20 | INLET MANIFOLD GASKET | 1 | |
| 049 | 400-32970-20 | INLET MANIFOLD SPACER | 1 | |
| 050 | 391-01750-80 | INLETMANIFOLD COMP. | 1 | - V142800 |
| 050 | 391-01750-81 | INLET MANIFOLD COMP. | 1 | V142801 - |
| 051 | 560-32970-90 | ENGINE CASE ASS'Y | 1 | |
| 052 | 562-04060-20 | AIR VENT VALVE B | 1 | |
| 053 | 431-32970-20 | PLUS GUIDE | 1 | V142801 - |
| 054 | 629-01750-90 | TANK INNER CAP ASS'Y | 1 | |
| 057 | 994-63050-204 | HEX.HOLE BOLT 5X20PS | 4 | |
| 058 | 476-01700-20 | BLOW OVER CHECK BOARD | 1 | |
| 059 | 700-32970-20 | CHOKE VALVE | 1 | |
| 060 | 708-32350-20 | CHOKE VALVE SHIM | 2 | |
| 061 | 707-32970-20 | CHOKE ROD RUBBER | 1 | |
| 062 | 704-32970-80 | CHOKE BUTTON COMP. | 1 | |
| 064 | 190-32970-20 | ADJUSTER CAP | 1 | - B032700 |
| 064 | 190-3297U-20 | ADJUSTER CAP | 1 | B032701 - |
| 065 | 191-32970-20 | IDLE SPONGE 25L | 1 | |
| 067 | 051-32970-90 | CLEANER COVER SET | 1 | |
| 068 | 380-0631A-20 | CLEANER COVER BOLT | 1 | |
| 069 | 421-01750-20 | CLEANER ELEMENT | 1 | |
| 070 | 994-61040-124 | HEX. HOLE BOLT 4X12S | 2 | |
| 071 | 990-73045-144 | TAPPING SCREW 4.5X14 | 4 | |
| 073 | 994-14050-401 | SCREW 5X40/S | 2 | - W102600 |
| 073 | 994-16050-422 | SCREW 5X42/WS | 2 | W102601 - |
| 074 | 994-63050-185 | HEX. HOLE BOLT 5X18PS | 1 | |
| 075 | 027-0630A-20 | COLLAR | 1 | |
| 076 | 992-01050-061 | WASHER 5 | 1 | |
| 077 | 992-00050-011 | SMALL WASHER 5 | 1 | W153101 - |
| 078 | 992-00050-011 | SMALL WASHER 5 | 1 | W153101 - |
| | | | | |
| | | | | |
| | | | | |
| | | | | |
| | | | | |

