

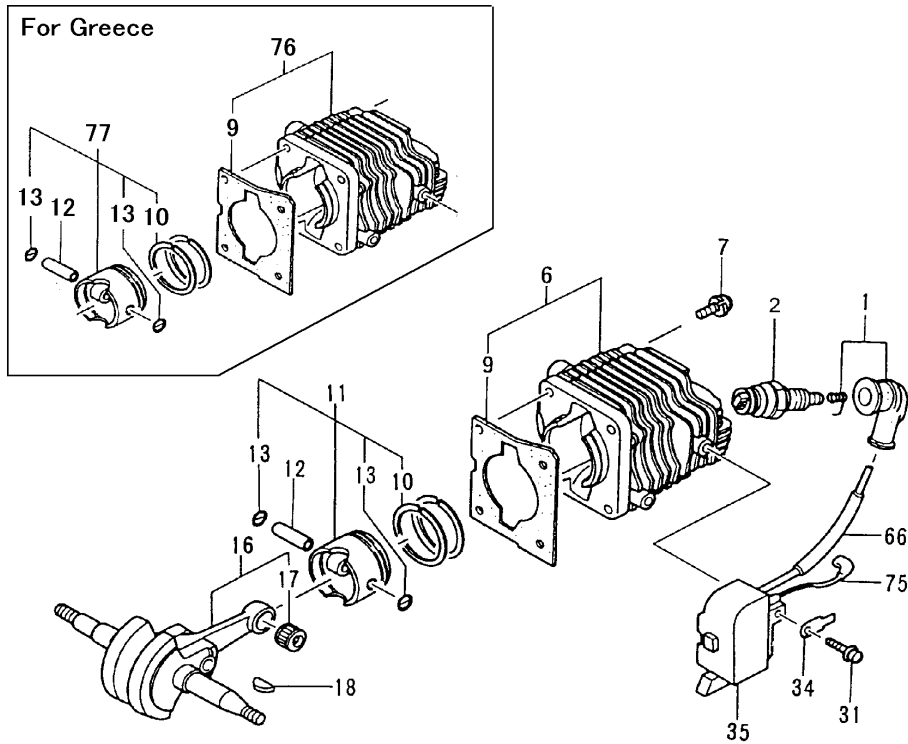
**C05**

***Tanaka***

**ECS-3351/B/C/D**

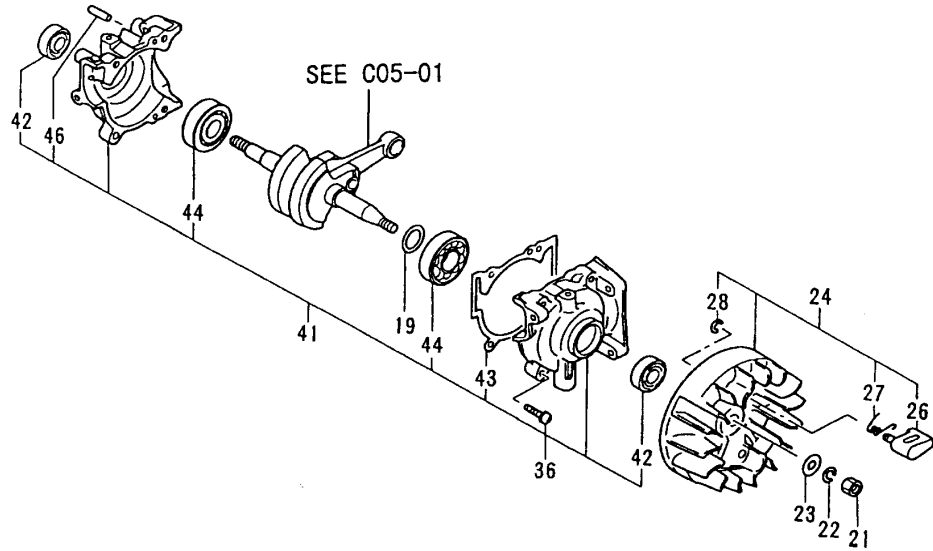
**Serial No. -C146000**

# C05-01 CYLINDER/PISTON/CRANK SHAFT



REF. NUMBER	PARTS NUMBER	DESCRIPTION	Q'TY	SERIAL NUMBER
001	668-7479	SPARK PLUG CAP ASS'Y	1	
002	668-5769	SPARK PLUG RCJ-8	1	
006	668-5456	CYLINDER SET	1	- U272561
006	668-5457	CYLINDER SET	1	U272562 -
007	668-4903	HEX.HOLE BOLT M5X16/S	4	
009	668-5724	CYLINDER GASKET	1	
010	668-5081	PISTON RING	2	
011	668-5878	PISTON SET	1	- U272561
011	668-5879	PISTON SET	1	U272562 -
012	668-6008	PISTON PIN	1	
013	668-5078	CIRCLIP	2	
016	668-6171	CRANK SHAFT COMP.	1	
017	669-5592	NEEDLE BRG F-910 1.4X8.5	1	
018	668-4899	WOODRUFF KEY 3X13X4.5	1	
031	669-5407	HIGH TENSION SCREW 4X18WS	2	
034	668-8060	TAB	1	
035	668-7697	IGNITION COIL COMP.	1	- S039107
035	668-7700	IGNITION COIL COMP.	1	S039108 -
066	669-2900	CORD INSULATOR TUBE	1	
075	668-7837	CORD, B 70M	1	
076	668-5456	CYLINDER SET	1	- T162250
076	668-5459	CYLINDER SET	1	T162551 -
077	668-5878	PISTON SET	1	- T162550
077	668-5879	PISTON SET	1	T162551 -

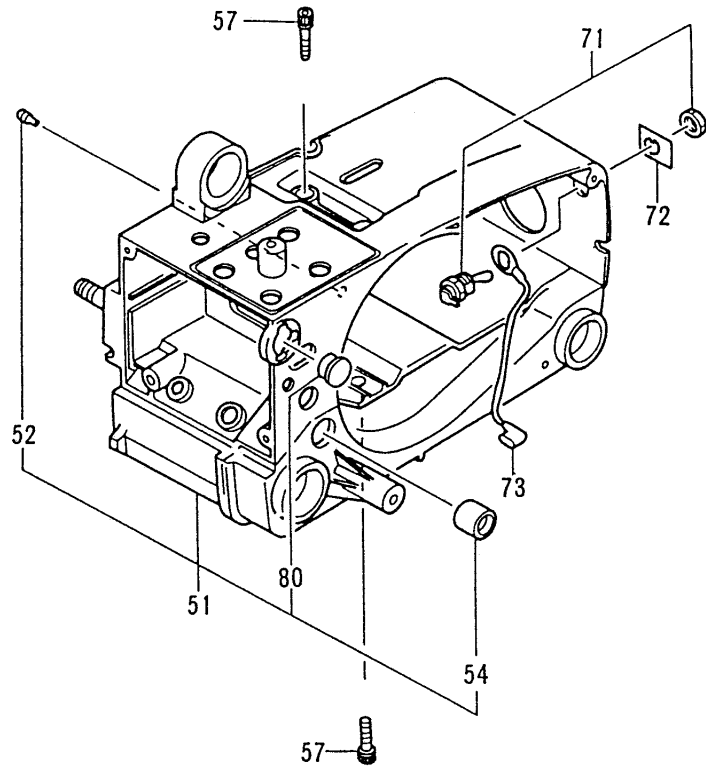
**C05-02 CRANK CASE**



REF. NUMBER	PARTS NUMBER	DESCRIPTION	Q'TY	SERIAL NUMBER
019	668-6474	SHIM 0.1	V	
019	668-5098	SHIM S T0.2	V	
019	668-5099	SHIM S T0.3	V	
019	668-6475	SHIM 0.4	V	Y324501 -
021	668-5104	FLYWHEEL NUT	1	
022	669-5222	S.WASHER 7	1	
023	668-5103	BOLT WASHER M7	1	
024	668-7393	MAGNETO ROTOR ASS'Y	1	- S039107
024	668-7394	MAGNETO ROTOR ASS'Y	1	S039108 -
026	668-5106	STARTER PAWL	2	
027	668-5105	STARTER PAWL SPRING	2	
028	668-5101	D4E RETAINING RING	2	
036	668-4668	HEX.HOLE BOLT M5X20/S	4	
041	668-6522	CRANK CASE ASS'Y	1	- C091000
041	668-6523	CRANK CASE ASS'Y	1	C091001 -
042	668-4607	OIL SEAL TB 12227	2	
043	668-6699	CRANK CASE GASKET	1	- Y060200
043	668-6700	CRANK CASE GASKET	1	- C091000
043	668-6701	CRANK CASE GASKET	1	C091001 -
044	668-5096	BALL BEARING 6201 A2C3	2	Z116001 -
046	668-5095	NEEDLE ROLLER 2.5X9.8	1	Z116001 -

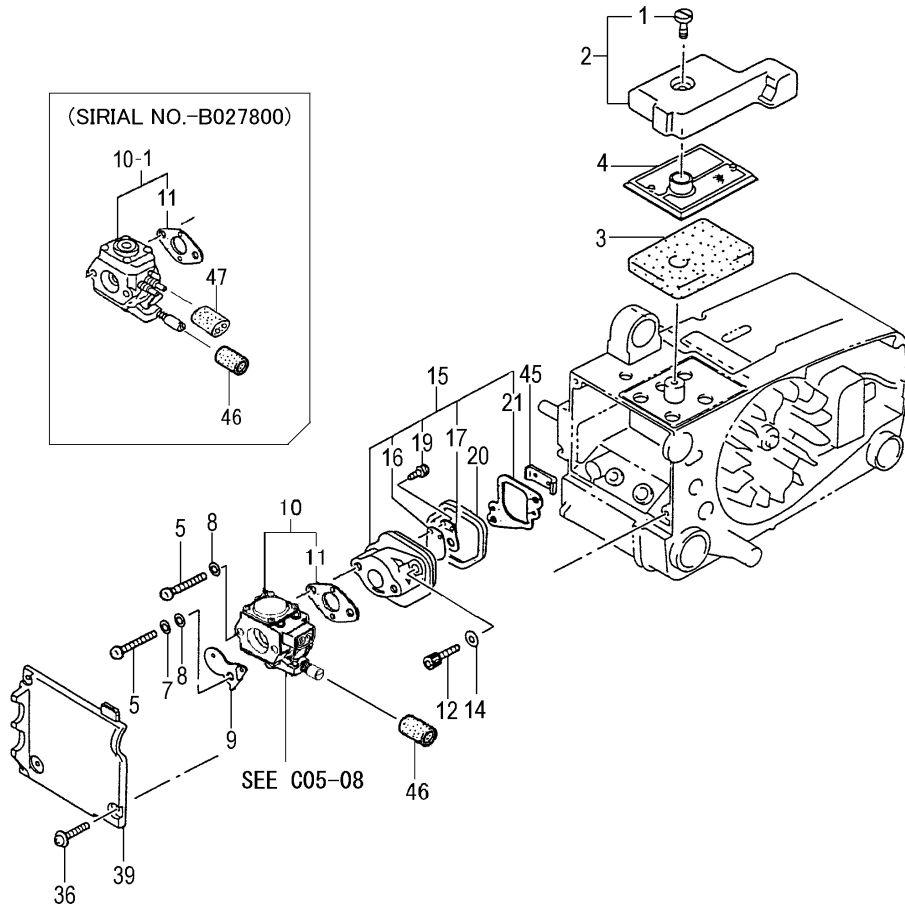
**C05-03**

**ENGINE CASE**



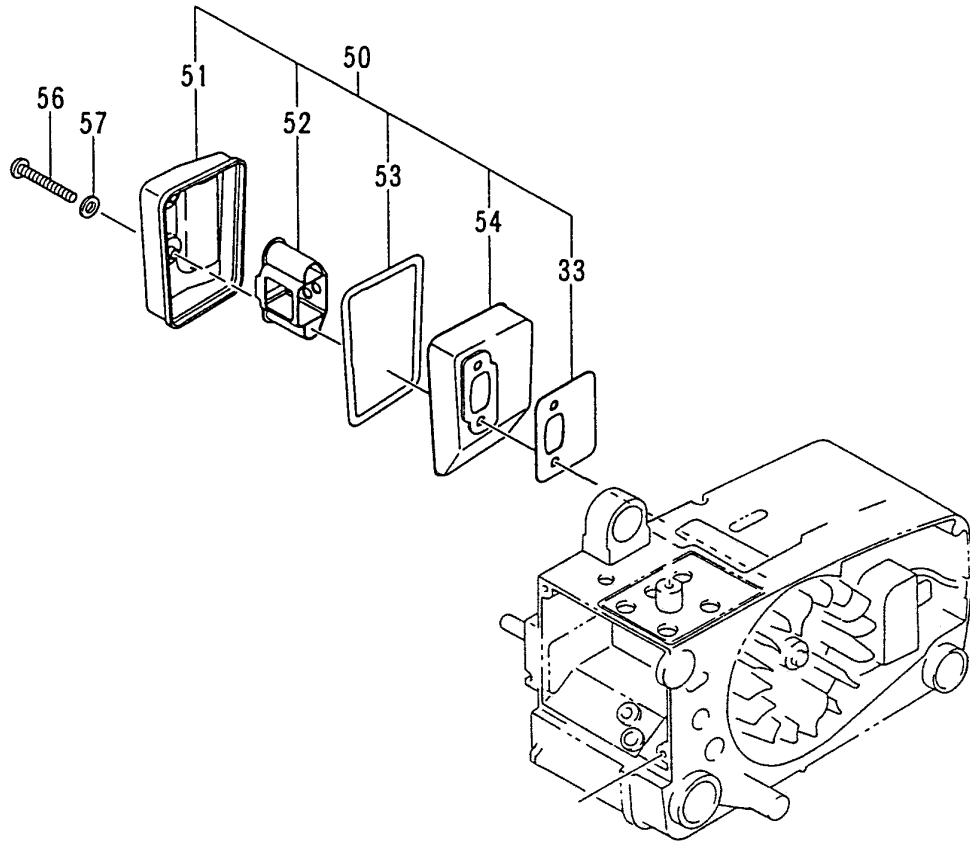
REF. NUMBER	PARTS NUMBER	DESCRIPTION	Q'TY	SERIAL NUMBER
051	669-1360	ENGINE CASE ASSY, VERMILION	1	- U272561
051	669-1361	ENGINE CASE, VERMILION	1	U272562 -
052	668-5173	AIR VENT VALVE (B)	1	
054	669-2164	AIR VENT VALVE SET	1	
057	668-4634	HEX.HOLE BOLT 5X20/PS	4	
071	668-7502	STOP SWITCH ASS'Y	1	
072	668-7949	SWITCH NAME PLATE	1	
073	668-8446	EARTH CORD COMP.	1	
080	668-6329	GROMMET A	1	- U272561

# C05-04 AIR CLEANER



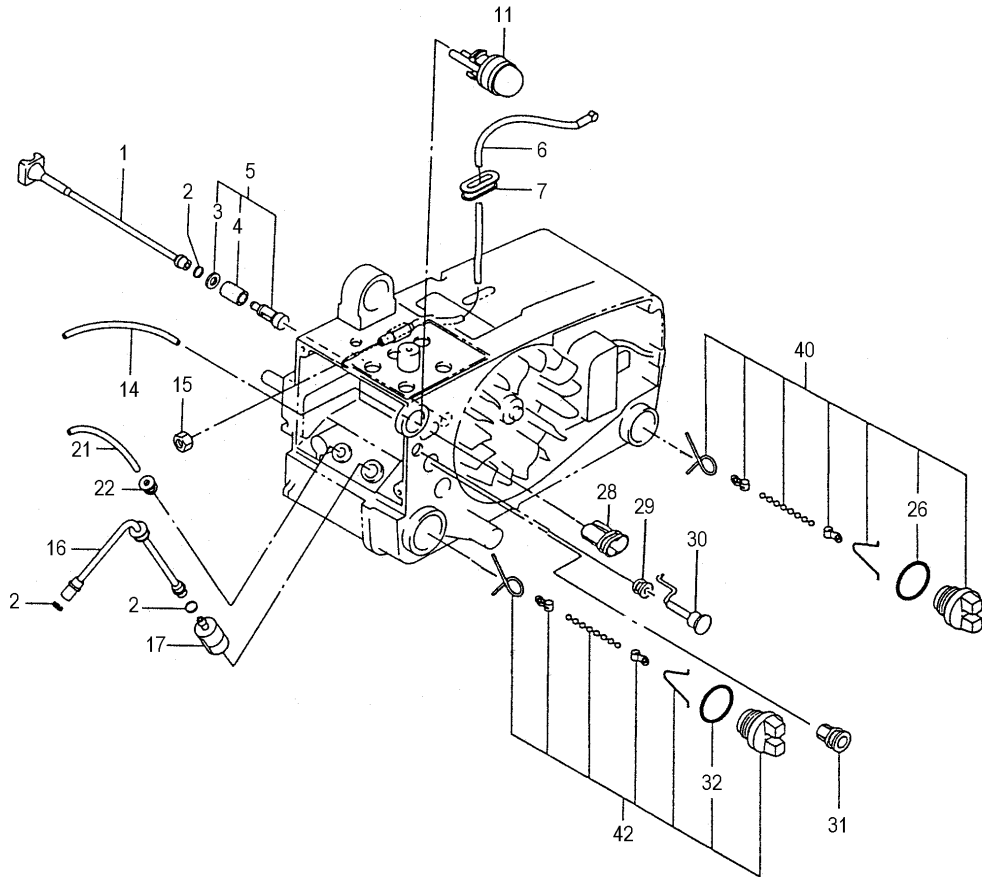
REF. NUMBER	PARTS NUMBER	DESCRIPTION	Q'TY	SERIAL NUMBER
001	668-9735	CLEANER COVER BOLT	1	
002	668-6299	AIRCLEANER COVER A SET, SPAR	1	
003	669-0355	AIRCLEANER SPONGE	1	R032271 -
004	669-0064	AIRCLEANER ELEMENT COMP.	1	
005	669-5350	SCREW 5X45S	2	
007	668-4864	SMALL WASHER 5	1	
008	669-2596	CHOKE SHIM 0.8	2	
009	669-2410	CHOKE VALVE	1	
010,1	669-0662	CARBURETOR SET WT407A	1	- U272561
010,1	669-0666	CARBURETOR SET, WT-517A	1	- B027800
010	669-0667	CARBURETOR SET,WT-760	1	B027801 -
011	668-9826	CARBURETOR GASKET	1	
012	668-4668	HEX.HOLE BOLT M5X20/S	2	
014	668-4864	SMALL WASHER 5	2	
015	668-9934	CARBURETOR INSULATOR SET,SP	1	- C091000
015	668-9935	INSULATOR SET	1	C091001 -
016	668-9802	REED VALVE	1	- C091000
016	668-9803	REED VALVE	1	C091001 -
017	668-9805	REED VALVE HOLDER	1	- C091000
017	668-9806	VALVE HOLDER	1	C091001 -
019	669-4964	BINDING HEAD SCREW 3X12	2	
020	669-0001	CARBURETOR INSULATOR RUBBE	1	
021	668-9870	INLET MANIFOLD GASKET	1	- C091000
021	668-9871	INSULATOR GASKET	1	C091001 -
036	668-5152	TAPPING SCREW D4.5X14	3	
039	668-7344	AIRCLEANER COVER B	1	
045	668-7182	SEAL COVER	1	
046	668-5224	IDLE SPONGE	1	Z116001 -
047	668-7978	SPONGE H/L 10L	1	Z116001 -
047	668-7978	SPONGE H/L 10L	1	- B027800

**C05-05 MUFFLER**



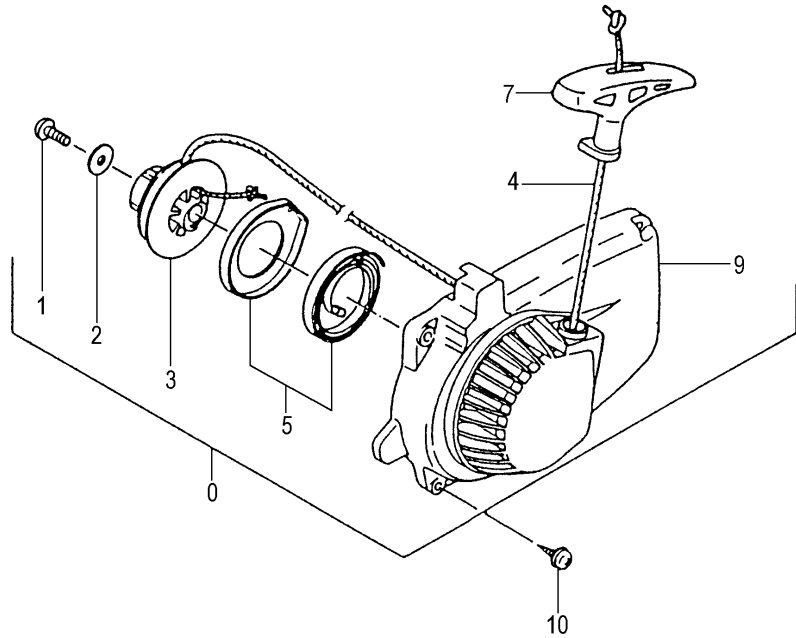
REF. NUMBER	PARTS NUMBER	DESCRIPTION	Q'TY	SERIAL NUMBER
033	669-2734	MUFFLER GASKET	1	
050	669-2444	MUFFLER SET	1	- B027800
050	669-2447	MUFFLER SET	1	B027801 -
051	669-2626	MUFFLER BODY B COMP.	1	- B027800
051	669-2627	MUFFLER BODY B COMP.	1	B027801 -
052	669-2677	MUFFLER FITTING METAL	1	
053	669-2833	MUFFLER COUPLING GASKE	1	
054	669-2607	MUFFLER BODY A COMP.	1	
056	669-4906	SCREW 5X40	2	
057	668-4661	WASHER 5	2	

**C05-06 FUEL/OIL FILTER**



REF. NUMBER	PARTS NUMBER	DESCRIPTION	Q'TY	SERIAL NUMBER
001	669-1121	OIL PIPE B	1	
002	669-2312	CLIP 7	3	
003	668-4661	WASHER 5	1	
004	669-0919	OIL FILTER	1	
005	668-5249	OIL FILTER BODY ASS'Y	1	
006	669-3873	THROTTLE WIRE COMP., SPECIAL	1	
007	669-4836	WIRE GROMMET	1	
011	668-5139	PRIMING PUMP COMP.	1	U272562 -
014	668-5138	FUEL PIPE 2.5X4X42	1	U272562 -
015	668-4872	LOCK NUT M6	1	
016	669-2292	RUBBER PIPE	1	
017	668-5199	PUMP FILTER BODY	1	
021	669-2351	FUEL PIPE 2.5X4X150	1	U272562 -
022	668-4627	RETURN GROMMET	1	U272562 -
026	669-5672	O-RING P-18	1	
028	668-7956	ADJUSTER CAP	1	- B027800
028	668-7957	ADJUSTER CAP	1	B027801 -
029	669-2590	GROMMET	1	
030	669-2513	CHOKE BUTTON COMP.	1	
031	668-7976	GROMMET	1	
032	669-5673	O-RING P-20	1	
040	669-2159	OIL TANK CAP ASS'Y	1	
042	669-2118	FUEL TANK CAP ASS'Y	1	

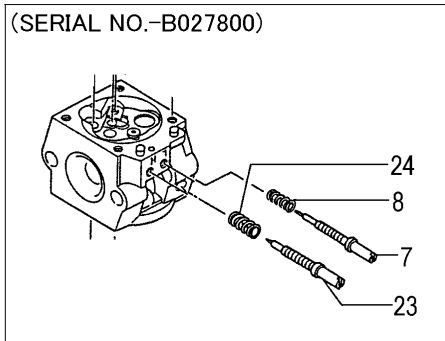
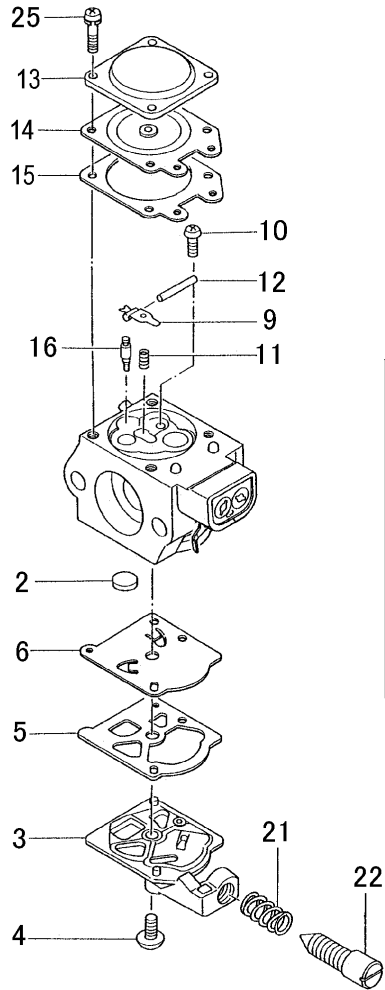
**C05-07 RECOIL STARTER**



REF. NUMBER	PARTS NUMBER	DESCRIPTION	Q'TY	SERIAL NUMBER
000	669-2906	RECOIL STARTER ASS'Y	1	
001	668-5275	TAPPING SCREW D5X14	1	
002	668-9681	BRAKE SHAFT WASHER	1	
003	669-3060	STARTER PULLY	1	
004	669-3159	STARTER ROPE 3 X 890	1	
005	669-3093	RECOIL SPRING CASE ASS'Y	1	
007	669-3228	STARTER HANDLE	1	
009	668-6947	FAN CASE COMP. BLK	1	
010	668-5191	TAPPING SCREW D4.5X20	4	

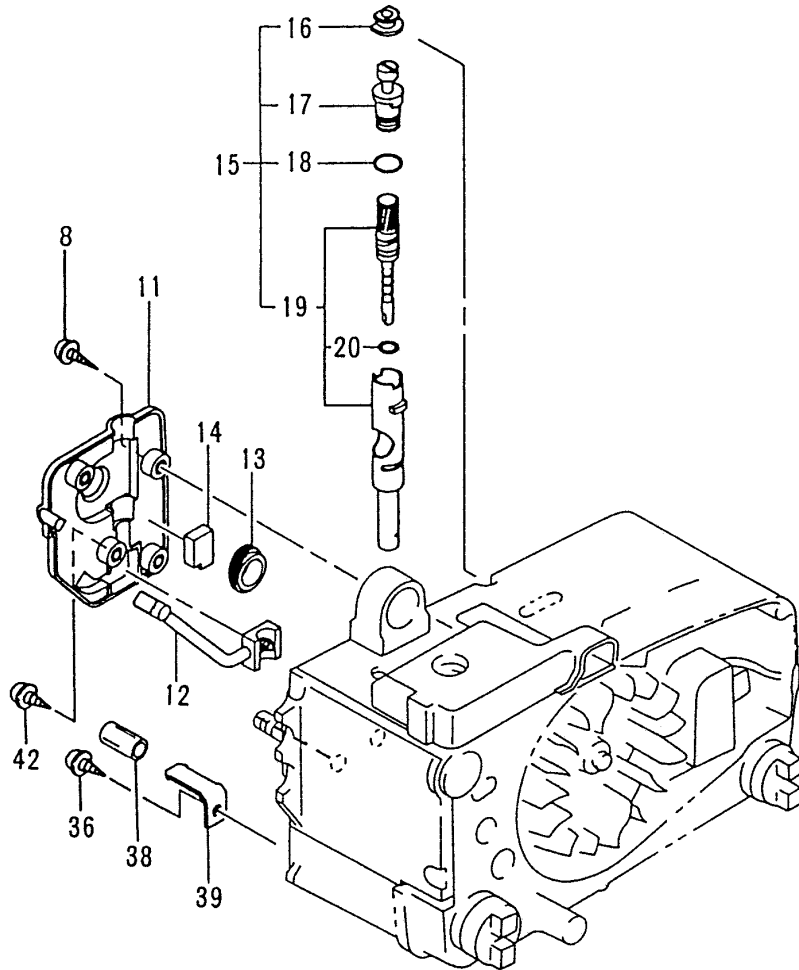


**C05-08 CARBURETOR**



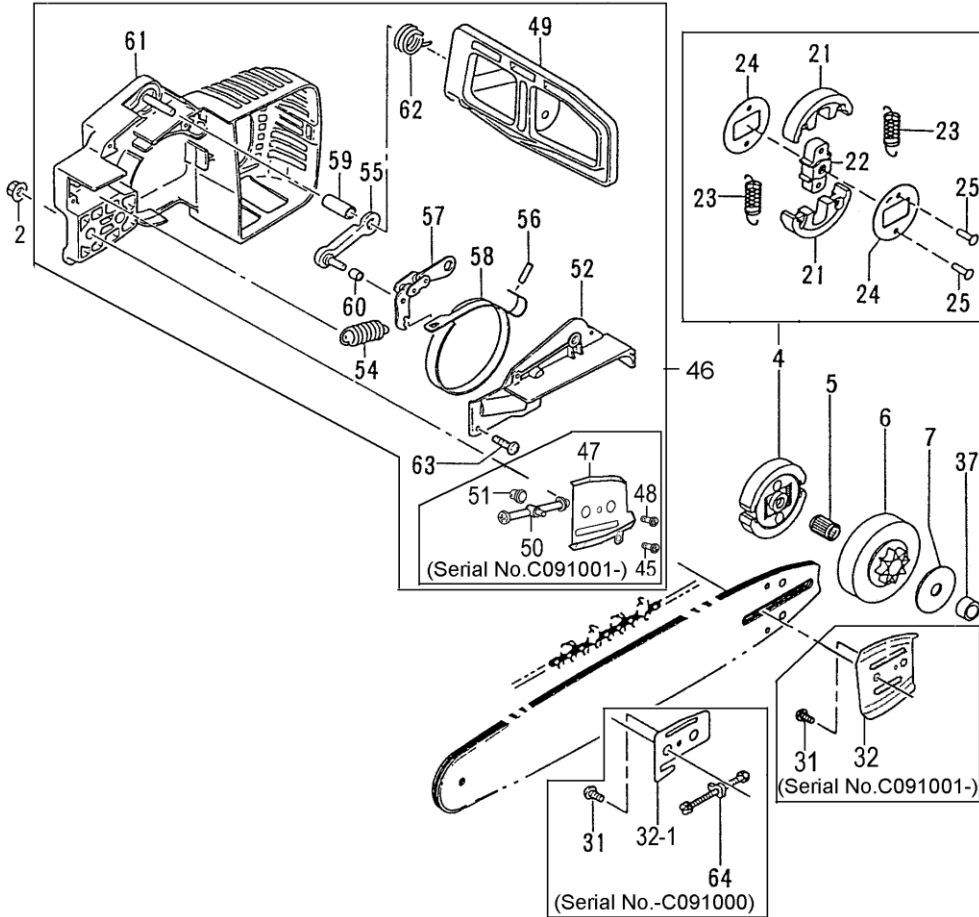
REF. NUMBER	PARTS NUMBER	DESCRIPTION	Q'TY	SERIAL NUMBER
002	668-4700	INLET SCREEN	1	
003	668-5211	PUMP BODY	1	- B027800
003	669-1416	PUMP BODY	1	B027801 -
004	668-5210	SCREW	1	
005	668-5212	PUMP GASKET	1	
006	668-5213	PUMP DIAPHRAGM	1	
007	669-0714	LOW ADJUST SCREW	1	- B027800
008	669-2048	HIGH/LOW ADJUST SPRING	1	- B027800
009	668-5217	CONTROL LEVER	1	
010	668-5218	HINGE PIN SET SCREW	1	
011	669-0870	VALVE SPRING	1	- S146000
011	669-0872	VALVE SPRING	1	- V081558
011	669-0873	VALVE SPRING	1	V081559 -
012	668-5219	HINGE PIN	1	
013	668-5222	DIAPHRAGM COVER	1	
014	669-0827	METERING DIAPHRAGM COMP.	1	
015	668-5220	DIAPHRAGM PACKING	1	
016	669-1943	NEEDLE VALVE	1	- S146000
016	668-5215	NEEDLE VALVE	1	- S203600
016	669-1943	NEEDLE VALVE	1	- T039708
016	668-5215	NEEDLE VALVE	1	T039709 -
021	668-5297	IDLE ADJUST SPRING	1	
022	668-5298	IDLE ADJUST SCREW	1	
023	669-0691	HIGH ADJUST SCREW	1	- B027800
024	669-0897	HIGH ADJUSTMENT SPRING	1	- B027800
025	668-5223	SET SCREW	4	

**C05-09 OIL PUMP**



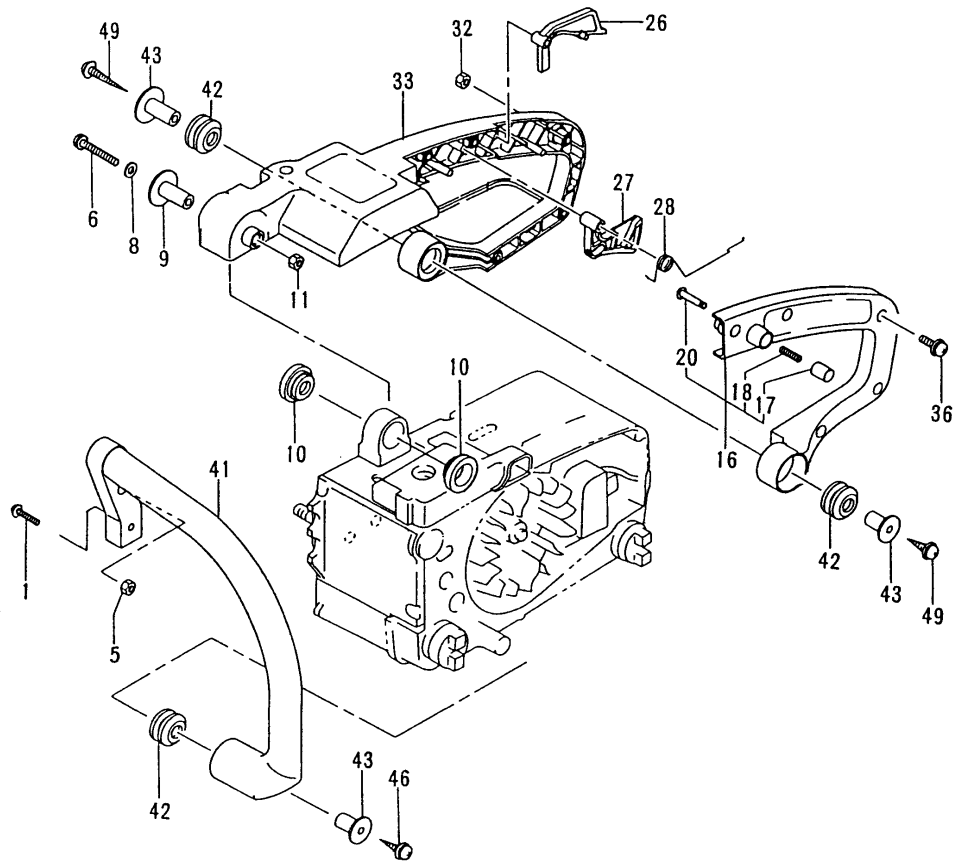
REF. NUMBER	PARTS NUMBER	DESCRIPTION	Q'TY	SERIAL NUMBER
008	669-5416	SCREW 5X14/WS	2	
011	668-6763	OIL PUMP COVER	1	
012	669-1223	OIL PIPE A	1	
013	668-6645	SCREW GEAR	1	
014	669-1400	AIR VENT SPONGE	1	
015	668-7324	OIL PUMP ASS'Y	1	
016	669-0956	OIL ADJUST GROMMET	1	
017	669-1070	OIL PUMP ADJUSTER	1	
018	669-5663	O-RING P-6	1	
019	668-6681	OIL PUMP CASE SET, SPARE	1	
020	669-5663	O-RING P-6	1	
036	668-5275	TAPPING SCREW D5X14	1	
038	668-5154	FUEL PIPE	1	
039	668-5155	CHAIN CATCHER	1	
042	668-5152	TAPPING SCREW D4.5X14	2	

**C05-10 CLUTCH/CHAIN BRAKE**



REF. NUMBER	PARTS NUMBER	DESCRIPTION	Q'TY	SERIAL NUMBER
002	668-5166	NUT	1	
004	668-8559	CLUTCH COMP.	1	
005	668-5143	NEEDLE BEARING	1	
006	668-5144	CLUTCH HOUSING COMP.	1	
007	668-5145	CLUTCH WASHER	1	
021	668-9491	CLUTCH SHOE	2	
022	668-9496	CLUTCH BOSS	1	
023	668-9424	CLUTCH SPRING	2	
024	668-9527	CLUTCH PLATE A	2	
025	669-5240	RIVET 4X14	2	
031	668-5161	TAPPING SCREW D4X10	1	
032,1	669-0790	PLATE	1	- C091000
032	669-0733	GUIDE PLATE A	1	C091001 -
037	668-5146	CRANK SHAFT COLLAR	1	
045	668-5161	TAPPING SCREW D4X10	1	C091001 -
046	668-6100	SIDE CASE ASS'Y	1	- C091000
046	668-6101	SIDE CASE ASS'Y	1	C091001 -
047	669-0755	GUIDE PLATE B	1	C091001 -
048	669-5269	SCREW 2.6X5	1	C091001 -
049	668-9674	BRAKE HANDLE	1	
050	668-5169	CHAIN PULLER COMP.	1	C091001 -
051	668-5168	GEAR (A)	1	C091001 -
052	668-9712	BRAKE LINK COVER, BLACK	1	
054	668-5167	BRAKE SPRING	1	
055	668-5119	BRAKE SUPPORT PLATE COMP.	1	
056	668-5141	NEEDLE ROLLER 3X9.8	1	
057	668-5121	BRAKE LINK COMP.	1	
058	668-5140	BRAKE BAND	1	
059	669-0805	CLEANER FIXING COLLAR	1	
060	668-5120	COLLAR	1	
061	668-6045	SIDE CASE COMP.	1	
062	668-5122	BRAKE LEVER SPRING	1	
063	668-5148	TAPPING SCREW D4X15	3	
064	668-7071	TENSION ADJUSTMENT BOLT ASS'Y	1	- C091000

**C05-11 HANDLE**



REF. NUMBER	PARTS NUMBER	DESCRIPTION	Q'TY	SERIAL NUMBER
001	669-5394	SCREW 5X25 PS	1	
005	669-5157	U-NUT 5	1	
006	669-5348	SCREW 5X40/S	1	
008	668-4864	SMALL WASHER 5	1	
009	668-8480	DAMPER COLLAR A	1	
010	668-8117	DAMPER A	2	
011	669-5157	U-NUT 5	1	
016	668-5646	REAR HANDLE B COMP.	1	
017	669-2680	PUSH PIN CAP	1	
018	668-6447	STOPPER SPRING	1	
020	668-6433	PUSH PIN	1	
026	668-8361	SAFETY LEVER	1	
027	668-6390	THROTTLE LEVER	1	
028	668-6417	THROTTLE LEVER SPRING	1	
032	668-5069	NUT M4	5	
033	668-5616	REAR HANDLE A COMP.	1	
036	669-5410	SCREW 4X22/WS	5	
041	668-8077	FRONT HANDLE COMP.	1	
042	668-8412	DAMPER B	3	
043	668-8485	DAMPER COLLAR B	3	
046	669-5107	TAPPING SCREW 5X35	1	
049	669-5107	TAPPING SCREW 5X35	2	

**C05-12 COVER/CHAIN/CHAIN BAR**

REF. NUMBER	PARTS NUMBER	DESCRIPTION	Q'TY	SERIAL NUMBER
001	668-5159	BAR 12 INCH 3/8 SP	1	B027801 -
002	668-5160	BAR 14 INCH 3/8 SP	1	
006	668-6632	4X50 MINUS DRIVER	1	
011	668-5170	SAW CHAIN (3/8X12") 91VG-45E	1	
012	668-5171	SAW CHAIN (3/8X14") 91VG-52E	1	
020	668-5256	CHAIN COVER 14"	1	
021	668-5255	CHAIN COVER 12"	1	
030	668-5257	COMBI BOX SPANNER 10/19MM	1	

