

# **C36**

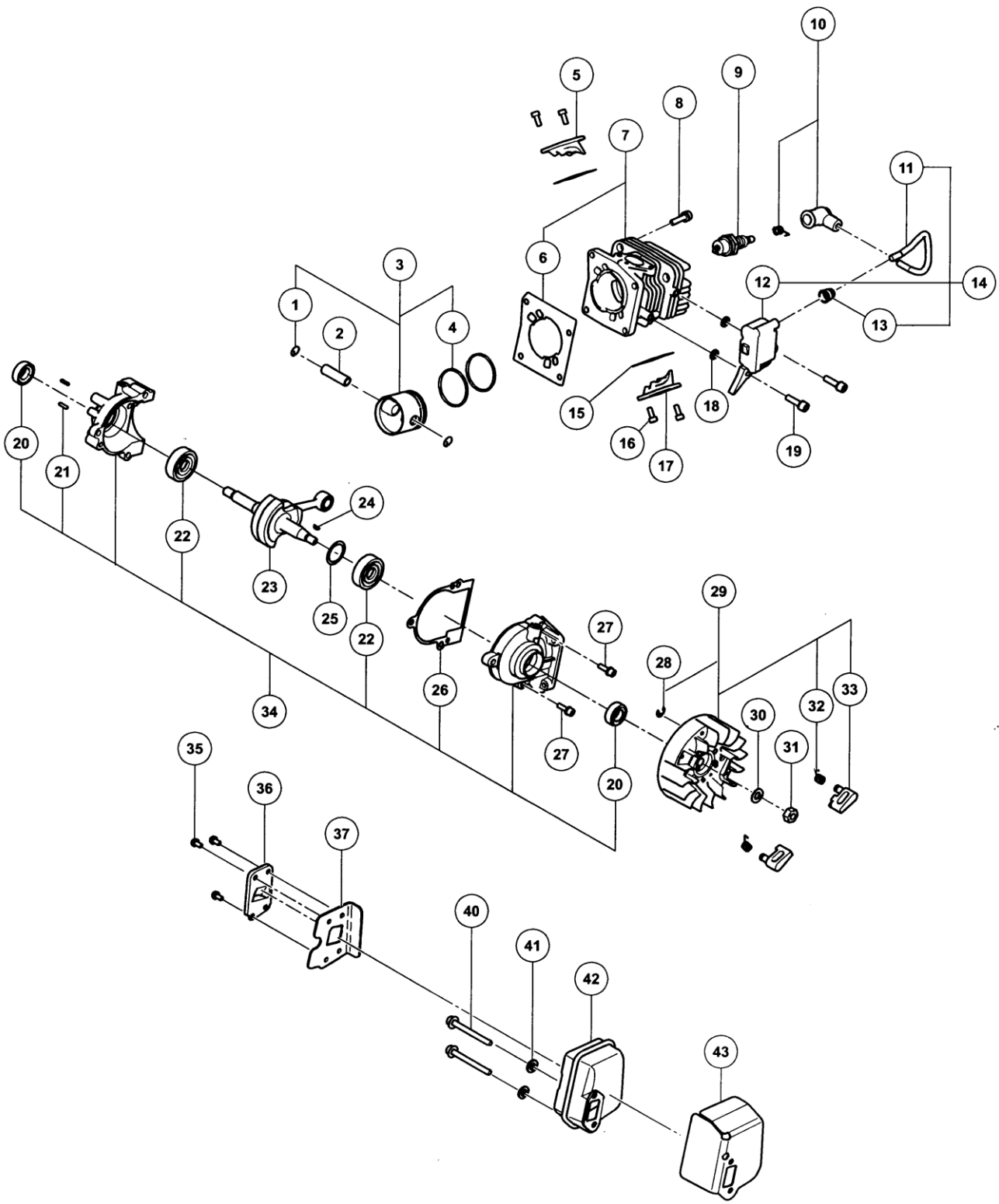
**(For Europe/Australia)**

# ***Tanaka***

## **TCS-3301PFS**

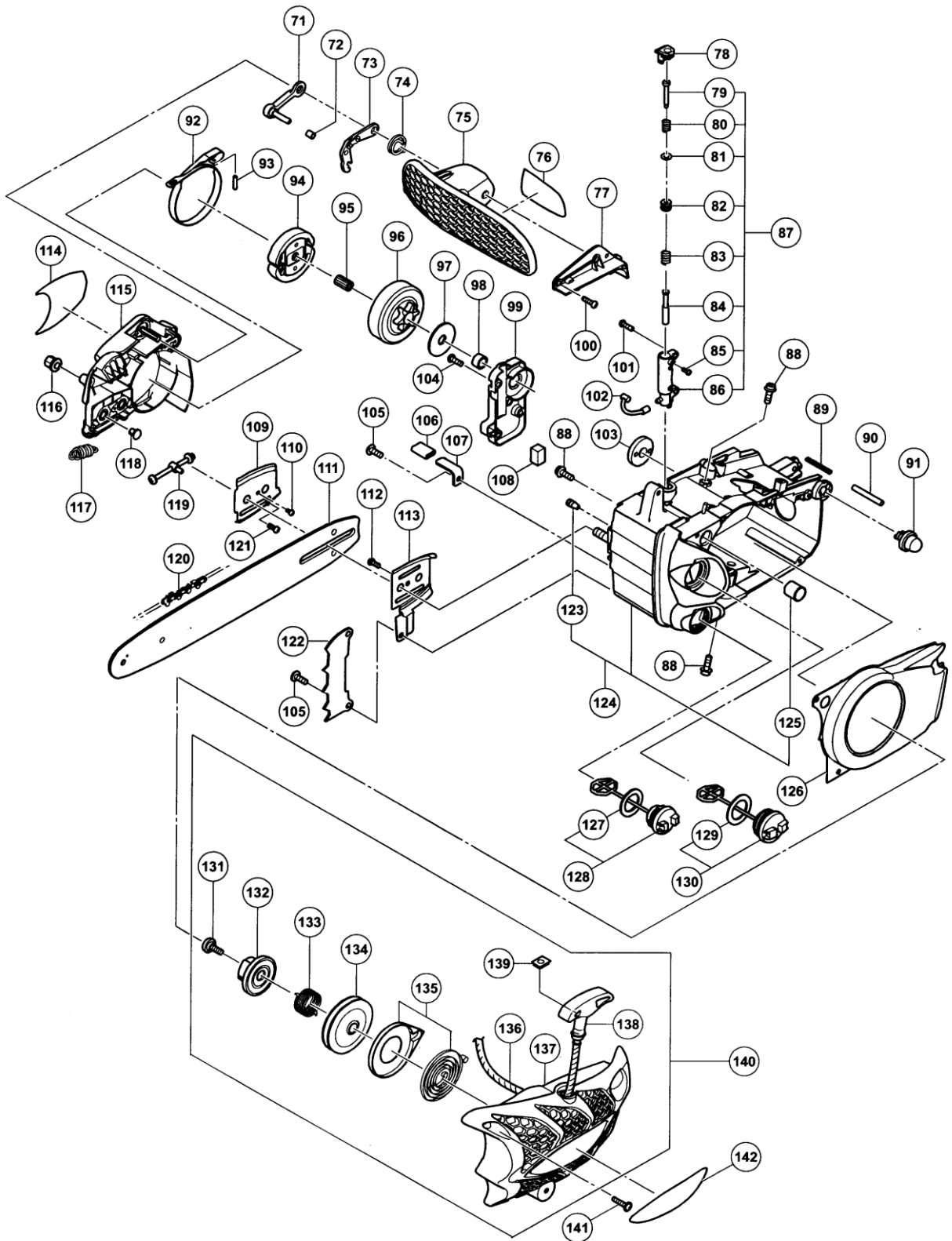
**Serial No.**

# C36-01 ENGINE





# C36-02 Oilpump/Side case/Recoil



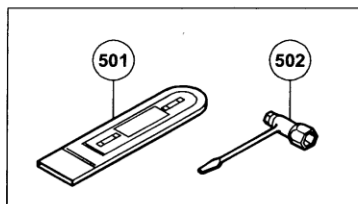
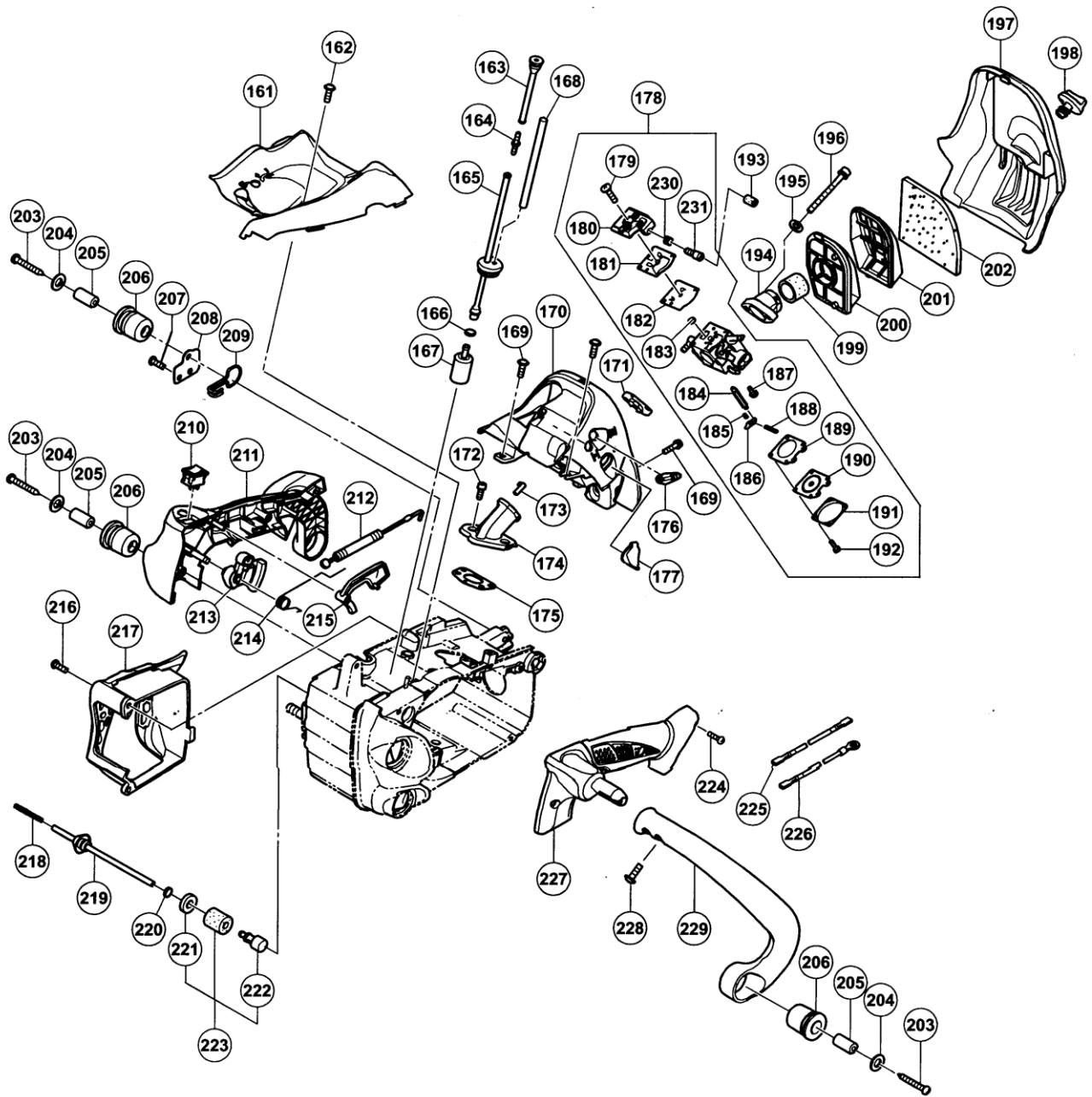
## C36-02 Oilpump/Side case/Recoil

ITEM NO.	CODE NO.	DESCRIPTION	NO.USED	REMARKS
071	668-5119	BRAKE SUPPORT PLATE COMP.	1	
072	668-5120	COLLAR	1	
073	668-5121	BRAKE LINK COMP.	1	
074	668-5122	BRAKE LEVER SPRING	1	
075	668-5123	BRAKE HANDLE	1	
076	668-5125	CAUTION MARK	1	
077	668-5126	BRAKE LINK COVER	1	
078	668-5127	OIL ADJUST GROMMET	1	
079	668-5128	OIL PUMP ADJUSTER	1	
080	668-5129	ADJUSTER SPRING	1	
081	668-5070	BOLT WASHER M4	1	
082	668-5130	OIL PUMP ADJUST CAP	1	
083	668-5131	PUMP GEAR SPRING	1	
084	668-5132	PUMP GEAR COMP.	1	
085	668-5133	MACHINE SCREW M3X8	1	
086	668-5134	OIL PUMP CASE COMP.	1	
087	668-5135	OIL PUMP CASE ASS'Y	1	INCLUD.79-86
088	668-5136	SEAL LOCK BOLT M5X15	5	
089	668-5137	PROTECTIVE COIL	1	INCLUD.179-192,230,231 FOR AUS
090	668-5138	FUEL PIPE 2.5X4X42	1	
091	668-5139	PRIMING PUMP COMP.	1	
092	668-5140	BRAKE BAND	1	
093	668-5141	NEEDLE ROLLER 3X9.8	1	
094	668-5142	CLUTCH COMP.	1	
095	668-5143	NEEDLE BEARING	1	
096	668-5144	CLUTCH HOUSING COMP.	1	
097	668-5145	CLUTCH WASHER	1	
098	668-5146	CRANK SHAFT COLLAR	1	
099	668-5147	OIL PUMP COVER	1	
100	668-5148	TAPPING SCREW D4X15	3	
101	668-5149	MACHINE SCREW (W/SP. WASHER) M4X14	2	
102	668-5150	OIL PIPE (A)	1	
103	668-5151	SCREW GEAR	1	
104	668-5152	TAPPING SCREW D4.5X14	3	
105	668-5153	TAPPING SCREW D4.5X14	3	
106	668-5154	FUEL PIPE	1	
107	668-5155	CHAIN CATCHER	1	
108	668-5156	AIR VENT SPONGE	1	
109	668-5157	GUIDE PLATE (B)	1	
110	668-5158	TAPPING SCREW D3X8	1	
111	668-5159	CHAIN BAR 12 3/8	1	FOR EX, AUS
111	668-5160	CHAIN BAR 14 3/8	1	FOR EX
112	668-5161	TAPPING SCREW D4X10	1	
113	668-5162	GUIDE PLATE (A)	1	
114	668-5164	NP(TCS3301PFS)	1	
115	668-5165	SIDE COVER COMP.	1	
116	668-5166	NUT	2	
117	668-5167	BRAKE SPRING	1	
118	668-5168	GEAR (A)	1	
119	668-5169	CHAIN PULLER COMP.	1	
120	668-5170	SAW CHAIN (3/8X12") 91VG-45	1	FOR EX, AUS
120	668-5171	SAW CHAIN (3/8X14") 91VG-52	1	FOR EX
121	668-5161	TAPPING SCREW D4X10	1	
122	668-5172	SPIKE	1	
123	668-5173	AIR VENT VALVE (B)	1	
124	668-5174	ENGINE CASE ASS'Y	1	INCLUD.123,125
125	668-5175	INNER CAP ASS'Y	1	
126	668-5176	AIR DEFLECTOR	1	
127	668-5177	OIL TANK CAP PACKING	1	
128	668-5178	OIL TANK CAP ASS'Y	1	INCLUD.127
129	668-5179	TANK CAP PACKING	1	
130	668-5180	TANK CAP ASS'Y	1	INCLUD.129
131	668-4679	SET SCREW	1	
132	668-5182	CAM PLATE	1	
133	668-5183	DAMPER SPRING	1	
134	668-5184	STARTER PULLEY	1	

## C36-02 Oilpump/Side case/Recoil

ITEM NO.	CODE NO.	DESCRIPTION	NO.USED	REMARKS
135	668-5185	SPRING CASE ASS'Y	1	
136	668-5186	ROPE	1	
137	668-5187	FAN CASE COMP.	1	
138	668-5188	STARTER HANDLE	1	
139	668-5189	PLATE	1	
140	668-5190	RECOIL STARTER ASS'Y	1	INCLUD.131-139
141	668-5191	TAPPING SCREW D4.5X20	4	
142	668-5193	SYMBOL MARK	1	

# C36-03 Carburetor/Air cleaner/Handle



## C36-03 Carburetor/Air cleaner/Handle

ITEM NO.	CODE NO.	DESCRIPTION	NO.USED	REMARKS
161	668-5194	ENGINE CASE COVER	1	
162	668-5152	TAPPING SCREW D4.5X14	3	
163	668-5195	RUBBER PIPE	1	
164	668-5196	PIPE JOINT	1	
165	668-5197	SHIELD TUBE ASS'Y	1	
166	668-5198	CLIP D6	1	
167	668-5199	PUMP FILTER BODY ASS'Y	1	
168	668-5200	FUEL PIPE 2.5X4X260	1	
169	668-5153	TAPPING SCREW D4.5X14	3	
170	668-5201	CLEANER BODY COMP.	1	
171	668-5202	INLET MANIFOLD SPACER	1	
172	668-4595	HEX.HOLE BOLT M4X12/S	2	
173	668-5203	PULSE GUIDE	1	
174	668-5204	INTAKE COMP.	1	
175	668-5205	INTAKE PACKING	1	
176	668-5206	CHOKE LEVER	1	
177	668-5207	ADJUSTER CAP	1	
178	668-5208	CARBURETOR ASS'Y WT-940	1	INCLUD.179-192,230,231 FOR EX
178	668-5209	CARBURETOR ASS'Y WT-949	1	INCLUD.179-192,230,231 FOR AUS
179	668-5210	SCREW	1	
180	668-5211	PUMP BODY	1	
181	668-5212	PUMP GASKET	1	
182	668-5213	PUMP DIAPHRAGM	1	
183	668-4700	INLET SCREEN	1	
184	668-5215	NEEDLE VALVE	1	
185	668-5216	VALVE SPRING	1	
186	668-5217	CONTROL LEVER	1	
187	668-5218	HINGE PIN SET SCREW	1	
188	668-5219	HINGE PIN	1	
189	668-5220	DIAPHRAGM PACKING	1	
190	668-4690	METERING DIAPHRAGM	1	
191	668-5222	DIAPHRAGM COVER	1	
192	668-5223	SET SCREW	4	
193	668-5224	IDLE SPONGE	1	
194	668-5225	AIR CLEANER BASE	1	
195	668-5226	WASHER M5 (BLACK)	2	
196	668-5114	HEX. SOCKET HD. BOLT M5X50	2	
197	668-5227	CLEANER COVER	1	
198	668-5228	CLEANER KNOB	1	
199	668-5229	CLEANER SPONGE (B)	1	
200	668-5230	CLEANER ELEMENT A COMP.	1	
201	668-5231	CLEANER ELEMENT B COMP.	1	
202	668-5232	CLEANER SPONGE (A)	1	
203	668-5233	TAPPING SCREW D5X45	3	
204	668-5234	WASHER	3	
205	668-5235	COLLAR 28.2	3	
206	668-5236	BUMPER COMP.	3	
207	668-5153	TAPPING SCREW D4.5X14	2	
208	668-5237	HOOK HOLDER PLATE	1	
209	668-5238	HOOK	1	
210	668-5239	STOP SWITCH	1	
211	668-5240	REAR HANDLE (B) COMP.	1	
212	668-5241	THROTTLE WIRE COMP.	1	
213	668-5242	THROTTLE LEVER	1	
214	668-5243	THROTTLE LEVER SPRING	1	
215	668-5244	TRIGGER LOCKOUT	1	
216	668-5152	TAPPING SCREW D4.5X14	2	
217	668-5245	MUFFLER COVER	1	
218	668-5246	PROTECTIVE COIL	1	
219	668-5247	SHIELD TUBE ASS'Y	1	
220	668-5198	CLIP D6	1	
221	668-4661	WASHER 5	1	
222	668-5248	OIL FILTER BODY	1	
223	668-5249	OIL FILTER BODY ASS'Y	1	INCLUD.221,222
224	668-5250	TAPPING SCREW D4X15	3	
225	668-5251	CORD 325MM	1	



## C36-03 Carburetor/Air cleaner/Handle

ITEM NO.	CODE NO.	DESCRIPTION	NO.USED	REMARKS
226	668-5252	CORD 180MM	1	
227	668-5253	REAR HANDLE (A) COMP.	1	
228	668-5074	TAPPING SCREW D5X16	2	
229	668-5254	FRONT HANDLE	1	
230	668-5297	IDLE ADJUST SPRING	1	
231	668-5298	IDLE ADJUST SCREW	1	
		STANDARD ACCESSORIES		
501	668-5255	CHAIN COVER 12"	1	FOR EX, AUS
501	668-5256	CHAIN COVER 14"	1	FOR EX
502	668-5257	BOX SPANNER 10X19	1	

## C36-01 ENGINE

ITEM NO.	CODE NO.	DESCRIPTION	NO.USED	REMARKS
001	668-5078	CIRCLIP	2	
002	668-5079	PISTON PIN	1	
003	668-5080	PISTON SET	1	INCLUD.1,4
004	668-5081	PISTON RING	2	
005	668-5082	SCAVENGING COVER (B)	1	
006	668-5083	CYLINDER PACKING	1	
007	668-5084	CYLINDER SET	1	INCLUD.6
008	668-4668	HEX.HOLE BOLT M5X20/S	4	
009	668-5086	SPARK PLUG BPMR6A	1	FOR EX,AUS
010	668-5087	SPARK PLUG CAP ASS'Y	1	
011	668-5088	HIGH VOLTAGE CORD	1	
012	668-5089	IGNITION COIL COMP.	1	
013	668-4602	RUBBER CAP	1	
014	668-5091	IGNITION COIL ASS'Y	1	INCLUD.11-13
015	668-5092	COVER PACKING (A)	2	
016	668-5093	HEX. SOCKET HD. BOLT M4X10	4	
017	668-5094	SCAVENGING COVER (A)	1	
018	668-4600	WASHER	2	
019	668-4599	HEX.HOLE BOLT M4X18/WS	2	
020	668-4607	OIL SEAL TB 12227	2	
021	668-5095	NEEDLE ROLLER 2.5X9.8	2	
022	668-5096	BALL BEARING 6201 A2C3	2	
023	668-5097	CRANK SHAFT COMP.	1	
024	668-4899	WOODRUFF KEY 3X13X4.5	1	
025	668-5098	SHIM S T0.2	V	
025	668-5099	SHIM S T0.3	V	
026	668-5100	CRANK CASE PACKING	1	
027	668-4668	HEX.HOLE BOLT M5X20/S	3	
028	668-5101	D4E RETAINING RING	2	
029	668-5102	MAGNETO ROTOR ASS'Y	1	INCLUD.28,32,33
030	668-5103	BOLT WASHER M7	1	
031	668-5104	FLYWHEEL NUT	1	
032	668-5105	STARTER PAWL SPRING	2	
033	668-5106	STARTER PAWL	2	
034	668-5107	CRANK CASE ASS'Y	1	INCLUD.20-22,26
035	668-5109	MACHINE SCREW (W/SP. WASHER) M	4	FOR EX, AUS
036	668-5110	EXHAUST PIPE	1	
037	668-5111	MUFFLER SPECIAL PACKING	1	
040	668-5114	HEX. SOCKET HD. BOLT M5X50	2	
041	668-4661	WASHER 5	2	
042	668-5116	MUFFLER COMP.	1	FOR EX, AUS
043	668-5117	MUFFLER PACKING	1	

## C36-02 Oilpump/Side case/Recoil

ITEM NO.	CODE NO.	DESCRIPTION	NO.USED	REMARKS
071	668-5119	BRAKE SUPPORT PLATE COMP.	1	
072	668-5120	COLLAR	1	
073	668-5121	BRAKE LINK COMP.	1	
074	668-5122	BRAKE LEVER SPRING	1	
075	668-5123	BRAKE HANDLE	1	
076	668-5125	CAUTION MARK	1	FOR EX, AUS
077	668-5126	BRAKE LINK COVER	1	
078	668-5127	OIL ADJUST GROMMET	1	
079	668-5128	OIL PUMP ADJUSTER	1	
080	668-5129	ADJUSTER SPRING	1	
081	668-5070	BOLT WASHER M4	1	
082	668-5130	OIL PUMP ADJUST CAP	1	
083	668-5131	PUMP GEAR SPRING	1	
084	668-5132	PUMP GEAR COMP.	1	
085	668-5133	MACHINE SCREW M3X8	1	
086	668-5134	OIL PUMP CASE COMP.	1	
087	668-5135	OIL PUMP CASE ASS'Y	1	INCLUD.79-86
088	668-5136	SEAL LOCK BOLT M5X15	5	

089	668-5137	PROTECTIVE COIL	1	INCLUD.179-192,230,231 FOR AUS
090	668-5138	FUEL PIPE 2.5X4X42	1	
091	668-5139	PRIMING PUMP COMP.	1	
092	668-5140	BRAKE BAND	1	
093	668-5141	NEEDLE ROLLER 3X9.8	1	
094	668-5142	CLUTCH COMP.	1	
095	668-5143	NEEDLE BEARING	1	
096	668-5144	CLUTCH HOUSING COMP.	1	
097	668-5145	CLUTCH WASHER	1	
098	668-5146	CRANK SHAFT COLLAR	1	
099	668-5147	OIL PUMP COVER	1	
100	668-5148	TAPPING SCREW D4X15	3	
101	668-5149	MACHINE SCREW (W/SP. WASHER) M4X1	2	
102	668-5150	OIL PIPE (A)	1	
103	668-5151	SCREW GEAR	1	
104	668-5152	TAPPING SCREW D4.5X14	3	
105	668-5153	TAPPING SCREW D4.5X14	3	
106	668-5154	FUEL PIPE	1	
107	668-5155	CHAIN CATCHER	1	
108	668-5156	AIR VENT SPONGE	1	
109	668-5157	GUIDE PLATE (B)	1	
110	668-5158	TAPPING SCREW D3X8	1	
111	668-5159	CHAIN BAR 12 3/8	1	FOR EX, AUS
111	668-5160	CHAIN BAR 14 3/8	1	FOR EX
112	668-5161	TAPPING SCREW D4X10	1	
113	668-5162	GUIDE PLATE (A)	1	
114	668-5164	NP(TCS3301PFS)	1	FOR EX, AUS
115	668-5165	SIDE COVER COMP.	1	
116	668-5166	NUT	2	
117	668-5167	BRAKE SPRING	1	
118	668-5168	GEAR (A)	1	
119	668-5169	CHAIN PULLER COMP.	1	
120	668-5170	SAW CHAIN (3/8X12") 91VG-45	1	FOR EX, AUS
120	668-5171	SAW CHAIN (3/8X14") 91VG-52	1	FOR EX
121	668-5161	TAPPING SCREW D4X10	1	
122	668-5172	SPIKE	1	FOR EX, AUS
123	668-5173	AIR VENT VALVE (B)	1	
124	668-5174	ENGINE CASE ASS'Y	1	INCLUD.123,125
125	668-5175	INNER CAP ASS'Y	1	
126	668-5176	AIR DEFLECTOR	1	
127	668-5177	OIL TANK CAP PACKING	1	
128	668-5178	OIL TANK CAP ASS'Y	1	INCLUD.127
129	668-5179	TANK CAP PACKING	1	
130	668-5180	TANK CAP ASS'Y	1	INCLUD.129
131	668-4679	SET SCREW	1	
132	668-5182	CAM PLATE	1	
133	668-5183	DAMPER SPRING	1	
134	668-5184	STARTER PULLEY	1	
135	668-5185	SPRING CASE ASS'Y	1	
136	668-5186	ROPE	1	
137	668-5187	FAN CASE COMP.	1	
138	668-5188	STARTER HANDLE	1	
139	668-5189	PLATE	1	
140	668-5190	RECOIL STARTER ASS'Y	1	INCLUD.131-139
141	668-5191	TAPPING SCREW D4.5X20	4	
142	668-5193	SYMBOL MARK	1	FOR EX, AUS

### **C36-03 Carburetor/Air cleaner/Handle**

ITEM NO.	CODE NO.	DESCRIPTION	NO.USED	REMARKS
161	668-5194	ENGINE CASE COVER	1	
162	668-5152	TAPPING SCREW D4.5X14	3	
163	668-5195	RUBBER PIPE	1	
164	668-5196	PIPE JOINT	1	
165	668-5197	SHIELD TUBE ASS'Y	1	
166	668-5198	CLIP D6	1	
167	668-5199	PUMP FILTER BODY ASS'Y	1	
168	668-5200	FUEL PIPE 2.5X4X260	1	

169	668-5153	TAPPING SCREW D4.5X14	3	
170	668-5201	CLEANER BODY COMP.	1	
171	668-5202	INLET MANIFOLD SPACER	1	
172	668-4595	HEX.HOLE BOLT M4X12/S	2	
173	668-5203	PULSE GUIDE	1	
174	668-5204	INTAKE COMP.	1	
175	668-5205	INTAKE PACKING	1	
176	668-5206	CHOKE LEVER	1	
177	668-5207	ADJUSTER CAP	1	
178	668-5208	CARBURETOR ASS'Y WT-940	1	INCLUD.179-192,230,231 FOR EX
178	668-5209	CARBURETOR ASS'Y WT-949	1	INCLUD.179-192,230,231 FOR AUS
179	668-5210	SCREW	1	
180	668-5211	PUMP BODY	1	
181	668-5212	PUMP GASKET	1	
182	668-5213	PUMP DIAPHRAGM	1	
183	668-4700	INLET SCREEN	1	
184	668-5215	NEEDLE VALVE	1	
185	668-5216	VALVE SPRING	1	
186	668-5217	CONTROL LEVER	1	
187	668-5218	HINGE PIN SET SCREW	1	
188	668-5219	HINGE PIN	1	
189	668-5220	DIAPHRAGM PACKING	1	
190	668-4690	METERING DIAPHRAGM	1	
191	668-5222	DIAPHRAGM COVER	1	
192	668-5223	SET SCREW	4	
193	668-5224	IDLE SPONGE	1	
194	668-5225	AIR CLEANER BASE	1	
195	668-5226	WASHER M5 (BLACK)	2	
196	668-5114	HEX. SOCKET HD. BOLT M5X50	2	
197	668-5227	CLEANER COVER	1	
198	668-5228	CLEANER KNOB	1	
199	668-5229	CLEANER SPONGE (B)	1	
200	668-5230	CLEANER ELEMENT A COMP.	1	
201	668-5231	CLEANER ELEMENT B COMP.	1	
202	668-5232	CLEANER SPONGE (A)	1	
203	668-5233	TAPPING SCREW D5X45	3	
204	668-5234	WASHER	3	
205	668-5235	COLLAR 28.2	3	
206	668-5236	BUMPER COMP.	3	
207	668-5153	TAPPING SCREW D4.5X14	2	
208	668-5237	HOOK HOLDER PLATE	1	
209	668-5238	HOOK	1	
210	668-5239	STOP SWITCH	1	
211	668-5240	REAR HANDLE (B) COMP.	1	
212	668-5241	THROTTLE WIRE COMP.	1	
213	668-5242	THROTTLE LEVER	1	
214	668-5243	THROTTLE LEVER SPRING	1	
215	668-5244	TRIGGER LOCKOUT	1	
216	668-5152	TAPPING SCREW D4.5X14	2	
217	668-5245	MUFFLER COVER	1	
218	668-5246	PROTECTIVE COIL	1	
219	668-5247	SHIELD TUBE ASS'Y	1	
220	668-5198	CLIP D6	1	
221	668-4661	WASHER 5	1	
222	668-5248	OIL FILTER BODY	1	
223	668-5249	OIL FILTER BODY ASS'Y	1	INCLUD.221,222
224	668-5250	TAPPING SCREW D4X15	3	
225	668-5251	CORD 325MM	1	
226	668-5252	CORD 180MM	1	
227	668-5253	REAR HANDLE (A) COMP.	1	
228	668-5074	TAPPING SCREW D5X16	2	
229	668-5254	FRONT HANDLE	1	
230	668-5297	IDLE ADJUST SPRING	1	
231	668-5298	IDLE ADJUST SCREW	1	
		STANDARD ACCESSORIES		
501	668-5255	CHAIN COVER 12"	1	FOR EX, AUS
501	668-5256	CHAIN COVER 14"	1	FOR EX
502	668-5257	BOX SPANNER 10X19	1	